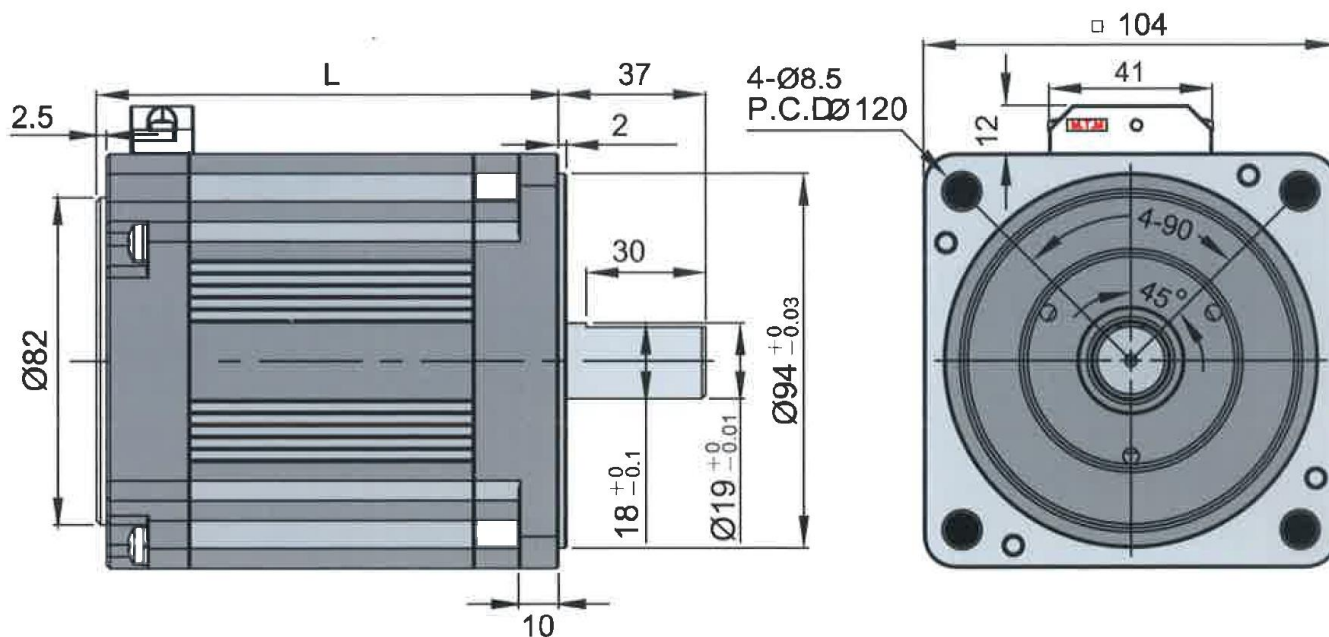


# Brushless Motor

Model No.	BL104S	BL104M	BL104L
Rated Voltage	48VDC 1ø110/220VAC	48VDC 1ø110/220VAC	48VDC 1ø110/220VAC
Rated Power	400 W	750W	1000W
Rated Torque	12.7 kg.cm	23.8 kg.cm	31.8 kg.cm
Rated Current	9.9 A 3.0 A/1.5 A	18.5 A 6.0 A/3.0 A	24.7 A 8.3 A/4.15 A
Rated Speed	3000 RPM	3000 RPM	3000 RPM
Slot-Pole	8P12S	8P12S	8P12S
Protection	IP54	IP54	IP54



Model No.	Length
BL104S	86 mm
BL104M	116 mm
BL104L	146 mm